



## BigDaddy's DIY PVC Deer Feeder Guide

### Message and Disclaimers:

*Please review all aspects of your project and before you begin, determine all aspects of your finished project. Examples of this would be such things as mounting diameters - for instance to a tree with unknown sizes may be different than mounting it on a telephone pole or object of a known size? Are you going to be building your project out of wood, composites, steel or aluminum etc. - be aware that some dimensions may require adjustments as determined by the type and use of certain materials;*

*Remember you may choose to build with materials you have lying around the house, your barn or shop. As an example, when it comes to strength different sizes, varying dimensions, product weights and thickness may vary widely. Some other examples that come to mind might be in using materials such as angle steel vs. tube steel or u-channel vs. wood or other materials.*

*Other examples that you should pre-determine for your particular project would be the size, weight bearing and load capacities - FOR EXAMPLE - The Structural Integrity required for a safe and durable project - i.e., if you weigh 316 lbs vs. 155 lbs what changes may need to be addressed.*

***Big-Daddy's Bottom Line - THINK BEFORE YOU START!*** *It is of the utmost importance that you completely review all specifications and adapt them to your desired project for optimum results and satisfaction. We assume no liability whatsoever - Verification and acceptance of all measurements as outlined are the final responsibility of the fabricator (that's You! ) We assume no liability for the use or misuse of any plan, products or materials utilized, or any other aspects or outlines as may be provided here with. This item is provided for your personal use only and not for resale or distribution without prior written consent.*

## Disclaimers and Other Legal Stuff

*HuntUSA.org®, HuntSports.com®, TheNationalHuntingConsortium®, ThePolak®, WeFixItUSA.com®, eSeekGod.com®, iAskGod.com®, it's owners, operators, nor any of our other world wide web venues, retailers, subsidiaries, suppliers, vendors, manufacturers, non-profits, members or any associates whatsoever, assumes any responsibility or liability, express or implied, for the use of, or misuse of, any product either bought, sold, listed, offered, or shown herein or offered thru any other sales or marketing web-site or venue. All City, County, State, and Federal Laws and Ordinances must be strictly adhered to and are the sole responsibility of the buyer. We make no warranties, expressed or implied, other than those as stated by the manufacturer. No information provided by us or sold by us shall be rented, sold, or given away to any third party business or individual without the copyright owner permissions. We will never willfully disclose any information about our site visitors without first receiving the visitor's permission to do so. Any Do-It-Yourself, or Handyman Guides are designed to help you and there are no warranties, either express or implied and your results will differ from others, based on knowledge and skill levels. The fundamental concept of this information provided herewith is that you read, study and possibly utilize this product as a "starting point" for going forward with planning your project; If you need to perform independent research, then do so and judge for yourself the merits of the material that has been provided herewith.*

**BigDaddy@HuntSports.com** recommends and endorses specific ideas, concepts and opportunities and cannot be liable for same. You should carefully consider whether our plans, ideas, concepts, How To and DIY programs or information is appropriate for you personally, in light of your experience, objectives, financial resources and other personal circumstances. The websites and all information technology and information provided herein are for guidance and information purposes only and their content for products and services offered are not intended to provide investment, tax, business development or other legal advice. The information contained herein has been compiled from sources deemed reliable and accurate to the best of our knowledge. However, we cannot guarantee the accuracy, completeness and cannot be held liable for any errors or omissions. Changes may be made periodically and at any time. We herewith deny any responsibility to update any previously purchased PDF's or copies of CD's etc.

All information contained herein should be independently verified and confirmed by appropriate sources and we do not accept any liability for any loss or damages whatsoever and the reader, or user, herewith agrees to indemnify and hold us harmless for any damages, costs or expenses, including any legal fees, potentially resulting from the application of any of the information provided herewith. This disclaimer applies to any damages or injury caused by any failure of performance, error, omission, interruption, deletion, defect, delay in operation or transmission, computer virus, communication line failure, theft or destruction or unauthorized access to, or use of record, whether for breach of contract, tort, negligence, or under any other cause of action. Furthermore, this disclaimer applies to any damages or injury caused by any failure of performance of any product supplied by others and used in conjunction with our information whether due to product failure, stress, welding error, welding or support omission, seam or weld interruptions, item adds or deletions, or any other defect whatsoever. It should not be assumed that future results will equal past performances and we make no guarantees that you will have success... but we pray you will indeed.

*Reader agrees to assume all risk resulting from the application of any of the information provided herewith and by using any PDF or CD application, web site, including any applets, software or hard copies, and any content contained herein, the visitor agrees that the use of this information product is entirely at his or her own risk.*

The basic design has been around for several years, and slightly changed and adapted by other hunters, but in theory, you can make one trip to the hardware store, or a local Home Depot, Lowe's, Tractor Supply or any number of other Farm & Ranch stores, and **spend a few bucks and build a DEER FEEDER that works extremely well.** I am not going to get into the prices of things like camouflage paint, or tape, or costs of little parts etc. ... because with a little fore-thought you can make some subtle changes and scrounge some parts for free like I do... or maybe look around your work shop or barn for some of the parts?

**WHAT I AM GOING TO DO** is give you a **BASIC MATERIALS LIST** and some really simple step by step instructions along with some pictures, and I'm sure you'll get the idea! Once you have your materials it should take less than one hour to completely assemble the unit and paint it, if you so desire. Personally, as you will see, I don't think camo means anything to the deer... it hasn't in either of our testing locations.

## Basic Material List:

1 Length of PVC or ABS pipe – 4", 6", 8" or other diameters. Please "note" that the final length of this piece will be determined by you. WHY? You might have some scraps from a job leftover? You might buy a new 10' piece and make 2 Five (5') Units? – get the picture?

- 1 90 Degree Elbow
- 2 end caps
- 2 Bungee Cords, Rope, Wire or any number of creative methods could be used to attach it to a tree or post
- 4 D-ring Fasteners (as shown on 4" PVC) or Threaded Eye Hooks w/ Washers (shown on 6" Diameter unit)
- Camo Paint – to suit your taste



## Step 1

Cut One (1) or Two (2) lengths of pipe (depending on type you are building); and again, the overall lengths are to be determined by you. The photos above show One (1) at 36" and one (1) at 20 inches; With the smaller piece ( 20" ) cut with an opening 12" X by 1" (PLUNGE DEPTH). You can use a jig saw, saws-all or other type of cutting tools; Fine toothed blade recommended; Pre-drilled Starter Holes recommended;



**20" Long Cut of 4" PVC Shown**



**about 40" Tall**

## OTHER THINGS TO CONSIDER:

- a) **Short Length / pipe length to meet your needs?** - as you can see in other designs, no length of pipe was used at bottom run;
- b) **Other Factors to Consider** – the cutting of the feed hole size? I prefer a smaller hole for use by one (1) deer; May restrict hog use?
- c) **I always drill 1/4" – 3/8" Diameter "weep holes"** - for water / moisture run-off etc.

### Step 2

**BEFORE YOU USE ADHESIVES / GLUES ETC.** – test assemble your two lengths of pipe into the elbow with your cut piece on the bottom and opening facing up. Now add your style of end caps to the open ends etc. (see photos below )



Need other deer feeder equipment, parts or supplies? – visit [www.HuntSports.com](http://www.HuntSports.com) or Contact [BigDaddy@HuntSports.com](mailto:BigDaddy@HuntSports.com) for package deals & specials!

### Step 3

**Lay feeder tube on side and add your attachment hardware.** D-rings on each side; Eye hooks or strapping, whatever you decide to use. If you want to measure , you can set 8 inches from the top and 12 inches from the bottom.



### Step 4

**Assemble your unit as you determine you best methodology** – what I mean by this is as follows: Some folks use PVC / ABS Cements and assemble etc.; Some folks will use screws, in order to be able to “break-down” unit for travel or so unit will disassemble in the future.



**PAINTING** - Paint if you would like, to suit your taste!

**DIFFERENT CAP ASSEMBLIES** – see for yourself – there are lots of options !

**Attach to a tree or existing post** - fill with feed, corn, mineral mixes, etc. ; Fill from the top and replace the cap to seal moisture out.

**SET OUT A SCOUTING CAMERA AND SEE WHO COMES TO DINNER!** Don't have one? Contact [BigDaddy](#) at HuntSports and he will get you a good deal on one, or more. [www.HuntSports.com](http://www.HuntSports.com)





## Disclaimers and Other Legal Stuff ... Again

HuntUSA.org®, HuntSports.com®, TheNationalHuntingConsortium®, ThePolak®, WeFixItUSA.com®, eSeekGod.com®, iAskGod.com®, it's owners, operators, nor any of our other world wide web venues, retailers, subsidiaries, suppliers, vendors, manufacturers, non-profits, members or any associates whatsoever, assumes any responsibility or liability, express or implied, for the use of, or misuse of, any product either bought, sold, listed, offered, or shown herein or offered thru any other sales or marketing web-site or venue. All City, County, State, and Federal Laws and Ordinances must be strictly adhered to and are the sole responsibility of the buyer. We make no warranties, expressed or implied, other than those as stated by the manufacturer. No information provided by us or sold by us shall be rented, sold, or given away to any third party business or individual without the copyright owner permissions. We will never willfully disclose any information about our site visitors without first receiving the visitor's permission to do so. Any Do-It-Yourself, or Handyman Guides are designed to help you and there are no warranties, either express or implied and your results will differ from others, based on knowledge and skill levels. The fundamental concept of this information provided herewith is that you read, study and possibly utilize this product as a "starting point" for going forward with planning your project; If you need to perform independent research, then do so and judge for yourself the merits of the material that has been provided herewith.

[BigDaddy@HuntSports.com](mailto:BigDaddy@HuntSports.com) recommends and endorses specific ideas, concepts and opportunities and cannot be liable for same. You should carefully consider whether our plans, ideas, concepts, How To and DIY programs or information is appropriate for you personally, in light of your experience, objectives, financial resources and other personal circumstances. The websites and all information technology and information provided herein are for guidance and information purposes only and their content for products and services offered are not intended to provide investment, tax, business development or other legal advice. The information contained herein has been compiled from sources deemed reliable and accurate to the best of our knowledge. However, we cannot guarantee the accuracy, completeness and cannot be held liable for any errors or omissions. Changes may be made periodically and at any time. We herewith deny any responsibility to update any previously purchased PDF's or copies of CD's etc.

All information contained herein should be independently verified and confirmed by appropriate sources and we do not accept any liability for any loss or damages whatsoever and the reader, or user, herewith agrees to indemnify and hold us harmless for any damages, costs or expenses, including any legal fees, potentially resulting from the application of any of the information provided herewith. This disclaimer applies to any damages or injury caused by any failure of performance, error, omission, interruption, deletion, defect, delay in operation or transmission, computer virus, communication line failure, theft or destruction or unauthorized access to, or use of record, whether for breach of contract, tort, negligence, or under any other cause of action. Furthermore, this disclaimer applies to any damages or injury caused by any failure of performance of any product supplied by others and used in conjunction with our information whether due to product failure, stress, welding error, welding or support omission, seam or weld interruptions, item adds or deletions, or any other defect whatsoever. It should not be assumed that future results will equal past performances and we make no guarantees that you will have success... but we pray you will indeed.

*Reader agrees to assume all risk resulting from the application of any of the information provided herewith and by using any PDF or CD application, web site, including any applets, software or hard copies, and any content contained herein, the visitor agrees that the use of this information product is entirely at his or her own risk.*

# HuntSports Deer Feeder Parts



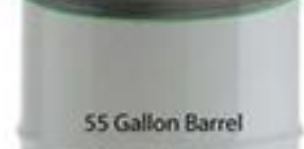
Watertight Lid for the top of the drum



Galvanized Steel Lid



Polyethylene Lid



55 Gallon Barrel

## Feeder Parts



Funnel fits tightly into the bottom of the drum



Polyethylene Funnel



Spun Steel Funnel

Barrel band leg kit for mounting legs



Barrel Band



Feed dispenser units



Automatic Feeder Control



Gravity Feeder Unit



**LIKE US ON FACEBOOK AND TWITTER and save up to 50% OFF any of BigDaddy's Build-Your-Own Plans**



# HuntSports Deer Feeder Updates

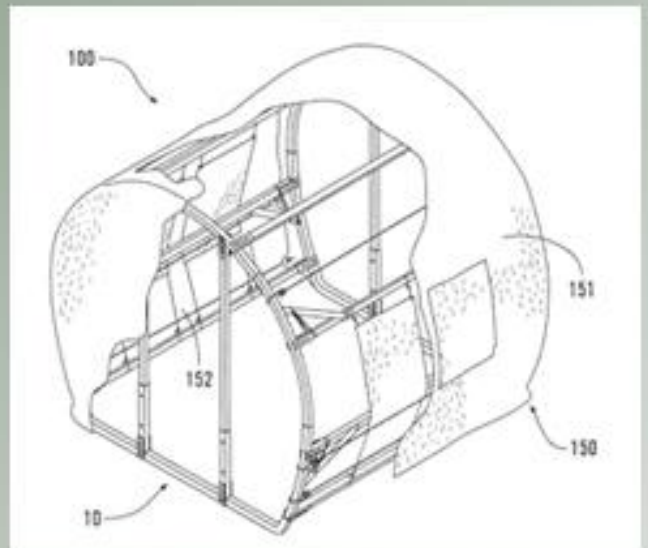
## IR Hog Light Wildlife Feeders



Click [HERE](#) to see our Full Selection of IR Feederlights



# Build Your Own Blinds



LIKE US ON FACEBOOK AND TWITTER and receive up to 50% OFF any of BigDaddy's Build-Your-Own Plans





# Customer ... Model 2014



**LIKE US ON FACEBOOK AND TWITTER and save up to 50% OFF any of BigDaddy's Build-Your-Own Plans**



# Deer Blind Windows

# DeerBlind



**WeFixItUSA**  
**Hunt USA.org**



# WINDOWS

## Deer Stand Packages



**Hunt Sports**  
We're All Year Hunting Seeds

**DeerBlind Windows**  
**Plans & How To**

**LIKE US ON FACEBOOK AND TWITTER** and receive up to 50% OFF any of BigDaddy's Build-Your-Own Plans



## Deer Blind Windows



## DIY Plans

.. and more

## Deer Blind Windows



Plans, Kits, Aluminum and Wood  
**By-Pass Sliders & More**



# Deer / Wildlife / Fish - Feeder Ideas

## Feeder



## Plans

## Feeder Package



**LIKE US ON FACEBOOK AND TWITTER and receive up to 50% OFF any of BigDaddy's Build-Your-Own Plans**



# Deer / Wildlife / Fish - Feeder Ideas



**Barrel Band**

**Lid**

**Barrel Funnel**

**Varmint Cage**

**12V Control**

**Battery**

**Solar Panel**

**Lake Pond River**

**Build Your Own FLOATING Fish Feeder**

**Hunt Sports**  
We're ALL Your Hunting Needs

**LIKE US ON FACEBOOK AND TWITTER and receive up to 50% OFF any of BigDaddy's Build-Your-Own Plans**

# DROP TUBE ... Directional Throw



**Feeder Parts**  
**Barrel Bands**  
**55 Gallon Kits**  
**Protein**  
**Free Choice**

**Soybean**

**CORN**



**Crank-Up**  
**Winch-Up**  
**Feeder Parts Kits**

**LIKE US ON FACEBOOK AND TWITTER and save up to 50% OFF any of BigDaddy's Build-Your-Own Plans**

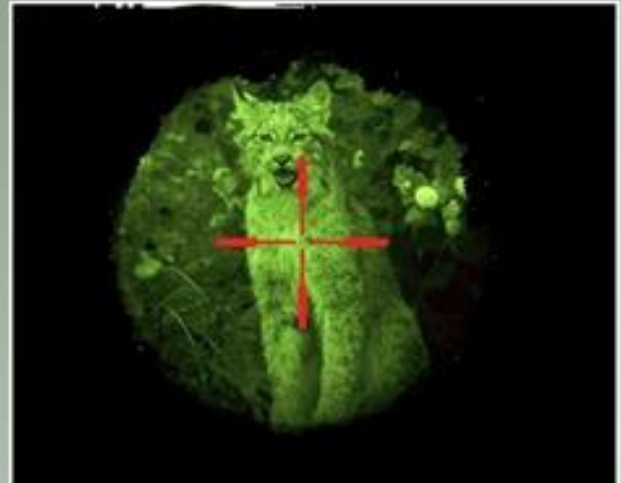
# HuntSports Feeder-Light Ideas & Kits



## HogLights



## 12V Remote



**LIKE US ON FACEBOOK AND TWITTER** and save up to **50% OFF** any of BigDaddy's Build-Your-Own Plans



# HuntSports Thermal Imaging



**LIKE US ON FACEBOOK AND TWITTER** and receive up to **50% OFF** any of BigDaddy's Build-Your-Own Plans

