



BigDaddy's DIY Storage Shed Plans



BigDaddy's DIY Storage Shed Plans

Message and Disclaimers:

Please review all aspects of your project and before you begin, determine all aspects of your finished project. Examples of this would be such things as mounting diameters - for instance to a tree with unknown sizes may be different than mounting it on a telephone pole or object of a known size? Are you going to be building your project out of wood, composites, steel or aluminum etc. - be aware that some dimensions may require adjustments as determined by the type and use of certain materials;

Remember you may choose to build with materials you have lying around the house, your barn or shop. As an example, when it comes to strength different sizes, varying dimensions, product weights and thickness may vary widely. Some other examples that come to mind might be in using materials such as angle steel vs. tube steel or u-channel vs. wood or other materials.

Other examples that you should pre-determine for your particular project would be the size, weight bearing and load capacities - FOR EXAMPLE - The Structural Integrity required for a safe and durable project - i.e., if you weigh 316 lbs vs. 155 lbs what changes may need to be addressed.

Big-Daddy's Bottom Line - THINK BEFORE YOU START! *It is of the utmost importance that you completely review all specifications and adapt them to your desired project for optimum results and satisfaction. We assume no liability whatsoever - Verification and acceptance of all measurements as outlined are the final responsibility of the fabricator (that's You!) We assume no liability for the use or misuse of any plan, products or materials utilized, or any other aspects or outlines as may be provided here with. This item is provided for your personal use only and not for resale or distribution without prior written consent.*

Disclaimers and Other Legal Stuff

HuntUSA.org®, HuntSports.com®, TheNationalHuntingConsortium®, ThePolak®, WeFixItUSA.com®, eSeekGod.com®, iAskGod.com®, it's owners, operators, nor any of our other world wide web venues, retailers, subsidiaries, suppliers, vendors, manufacturers, non-profits, members or any associates whatsoever, assumes any responsibility or liability, express or implied, for the use of, or misuse of, any product either bought, sold, listed, offered, or shown herein or offered thru any other sales or marketing web-site or venue. All City, County, State, and Federal Laws and Ordinances must be strictly adhered to and are the sole responsibility of the buyer. We make no warranties, expressed or implied, other than those as stated by the manufacturer. No information provided by us or sold by us shall be rented, sold, or given away to any third party business or individual without the copyright owner permissions. We will never willfully disclose any information about our site visitors without first receiving the visitor's permission to do so. Any Do-It-Yourself, or Handyman Guides are designed to help you and there are no warranties, either express or implied and your results will differ from others, based on knowledge and skill levels. The fundamental concept of this information provided herewith is that you read, study and possibly utilize this product as a "starting point" for going forward with planning your project; If you need to perform independent research, then do so and judge for yourself the merits of the material that has been provided herewith.

BigDaddy@HuntSports.com recommends and endorses specific ideas, concepts and opportunities and cannot be liable for same. You should carefully consider whether our plans, ideas, concepts, How To and DIY programs or information is appropriate for you personally, in light of your experience, objectives, financial resources and other personal circumstances. The websites and all information technology and information provided herein are for guidance and information purposes only and their content for products and services offered are not intended to provide investment, tax, business development or other legal advice. The information contained herein has been compiled from sources deemed reliable and accurate to the best of our knowledge. However, we cannot guarantee the accuracy, completeness and cannot be held liable for any errors or omissions. Changes may be made periodically and at any time. We herewith deny any responsibility to update any previously purchased PDF's or copies of CD's etc.

All information contained herein should be independently verified and confirmed by appropriate sources and we do not accept any liability for any loss or damages whatsoever and the reader, or user, herewith agrees to indemnify and hold us harmless for any damages, costs or expenses, including any legal fees, potentially resulting from the application of any of the information provided herewith. This disclaimer applies to any damages or injury caused by any failure of performance, error, omission, interruption, deletion, defect, delay in operation or transmission, computer virus, communication line failure, theft or destruction or unauthorized access to, or use of record, whether for breach of contract, tort, negligence, or under any other cause of action. Furthermore, this disclaimer applies to any damages or injury caused by any failure of performance of any product supplied by others and used in conjunction with our information whether due to product failure, stress, welding error, welding or support omission, seam or weld interruptions, item adds or deletions, or any other defect whatsoever. It should not be assumed that future results will equal past performances and we make no guarantees that you will have success... but we pray you will indeed.

Reader agrees to assume all risk resulting from the application of any of the information provided herewith and by using any PDF or CD application, web site, including any applets, software or hard copies, and any content contained herein, the visitor agrees that the use of this information product is entirely at his or her own risk.

Enjoying your backyard can be relaxing, but it can also get crowded. There's lawn furniture, gardening tools and supplies, camping gear, maybe even pool equipment. And don't forget the bicycles, tools, and other odds and ends that just can't find a parking place in the garage or basement. An outdoor storage facility is the answer to your bulky storage problems. When you build one with durable pressure-treated Southern Pine, you can count on long-lasting protection for all those items you need to stash away and secure.

This plan is adaptable to meet your storage needs. Three flooring options are specified, and an optional ramp can be built to help get a wheelbarrow or riding mower in or out more easily. Inside, the 2x4 stud wall will simplify the installation of shelves or hardware from which to hang tools and other items. The pressure-treated exterior siding can be painted, stained, or left to weather naturally to a silver-gray color.

When you complete this project, get back to relaxing in your outdoor living environment, knowing that everything is "in its place."

MATERIALS LIST

To build this storage shed, you will need the following quantities of pressure-treated Southern Pine lumber:

NUMBER OF PIECES	MATERIAL	LENGTH	SERVICE CONDITION
2	4x6	10'	Ground Contact
2	2x8	10'	Ground Contact
11	2x8	8'	Above Ground
18	2x6	10'	Above Ground
49	2x4	8'	Above Ground
6	2x4	10'	Above Ground
7	2x6	12'	Above Ground
1	1x6	10'	Above Ground
4	1x8	10'	Above Ground
2	1x4	8'	Above Ground
8	1x2	8'	Above Ground

Plus: 11 sheets, 4'x8', pressure-treated plywood siding, pattern T-111, 1/2" thick.

OTHER MATERIALS NEEDED

- 6d, 8d, 10d, 12d hot-dip galvanized or stainless steel nails (See Fastener Advisory)
- 3 pairs of galvanized butt hinges, Stanley F1798P or similar
- Water-repellent sealer
- Construction adhesive for pressure-treated wood
- Door handles and closure hardware (lock & hasp) of your choice.

Roofing Materials: (to cover 120 sq.ft.):

- 15 lb. roofing felt
- 5 sheets, 4'x8' sheathing plywood, 1/2" thick, pressure-treated
- Galvanized standard eave drips: 2-10', 4-6'
- Roofing nails
- Fiberglass or asphalt shingles

TOOLS REQUIRED

- Circular or crosscut saw
- Hammer
- Square
- Stakes, line, level
- Carpenter's rule or tape
- Screwdriver

CONSTRUCTION OPTIONS

This plan calls for a very heavy-duty 2x6 floor. It is designed to support heavy lawn equipment and large containers. If your storage needs are less demanding, consider a floor of 3/4" exterior grade plywood (three 4'x8' sheets required), or a floor of pressure-treated 1x6 boards (eighteen 10' lengths required).

ADVISORY:

Fastener & Connector Performance for Treated Wood

Metal products in contact with pressure-treated wood must be corrosion resistant. Examples include flashing, termite shields, fasteners (e.g. nails, screws, and bolts), and all connecting hardware (e.g. joist hangers, straps, hinges, post anchors, and truss plates).

The International Residential Code, Section R319.3 states, "Fasteners for pressure-preservative treated wood shall be of hot-dipped galvanized steel, stainless steel, silicon bronze or copper. **Exception:** One-half inch (12.7mm) diameter or greater steel bolts."

Traditionally, the treated wood industry has recommended hot-dip galvanized or stainless steel fasteners and connectors for wood products treated with Chromated Copper Arsenate (CCA). Hot-dip galvanized or stainless steel fasteners and connectors continue to be recommended for use with alternative wood preservatives (e.g. Alkaline Copper Quat - ACQ - and Copper Azole), but additional clarification is needed to ensure adequate corrosion protection.

Type 304 or 316 stainless steel is recommended for maximum corrosion resistance in more severe exterior applications, such as swimming pools and salt-water exposure. Furthermore, stainless steel fasteners are generally required below grade for permanent wood foundations.

Hot-dip galvanized fasteners and connectors are generally acceptable for above grade applications. Hot-dip galvanized fasteners should meet ASTM A153 (with 2 ounces of zinc coating per square foot minimum for marine use) and hot-dip galvanized connectors should meet ASTM A653, Class G185 sheet with 1.85 ounces of zinc coating per square foot minimum. Fasteners and connectors used together should be of the same type (e.g. hot-dip nails with hot-dip joist hangers).

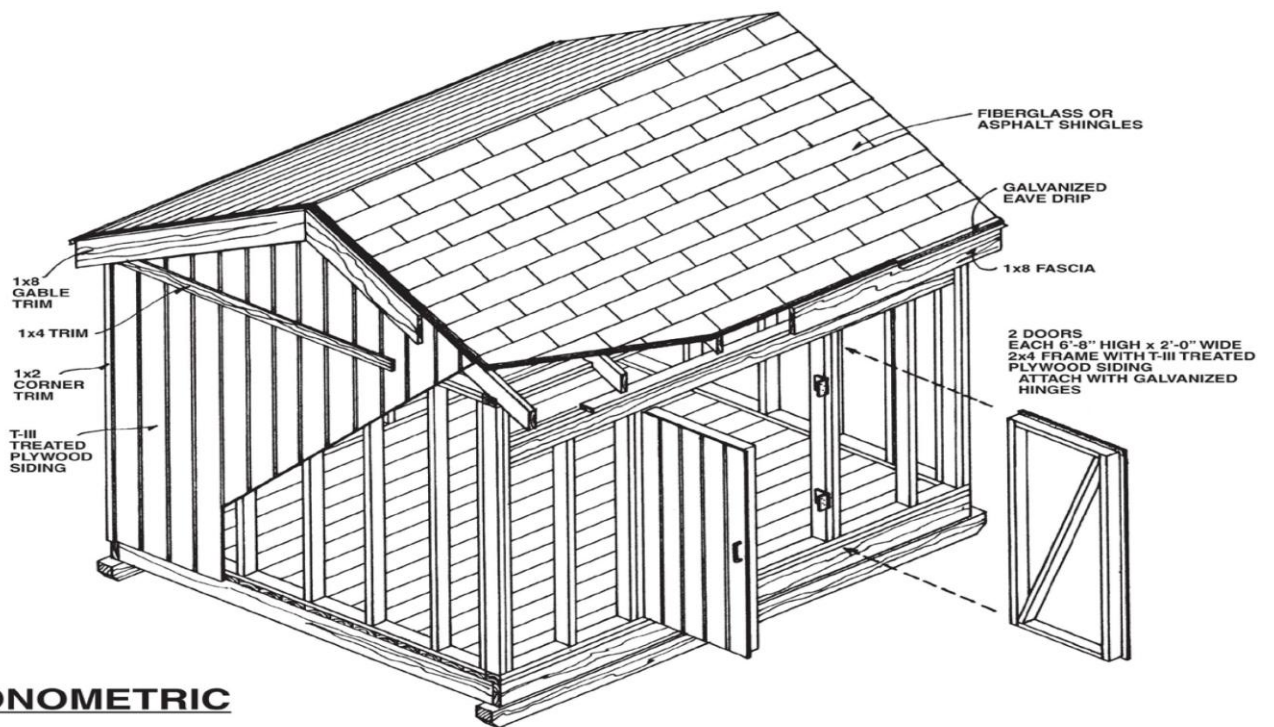
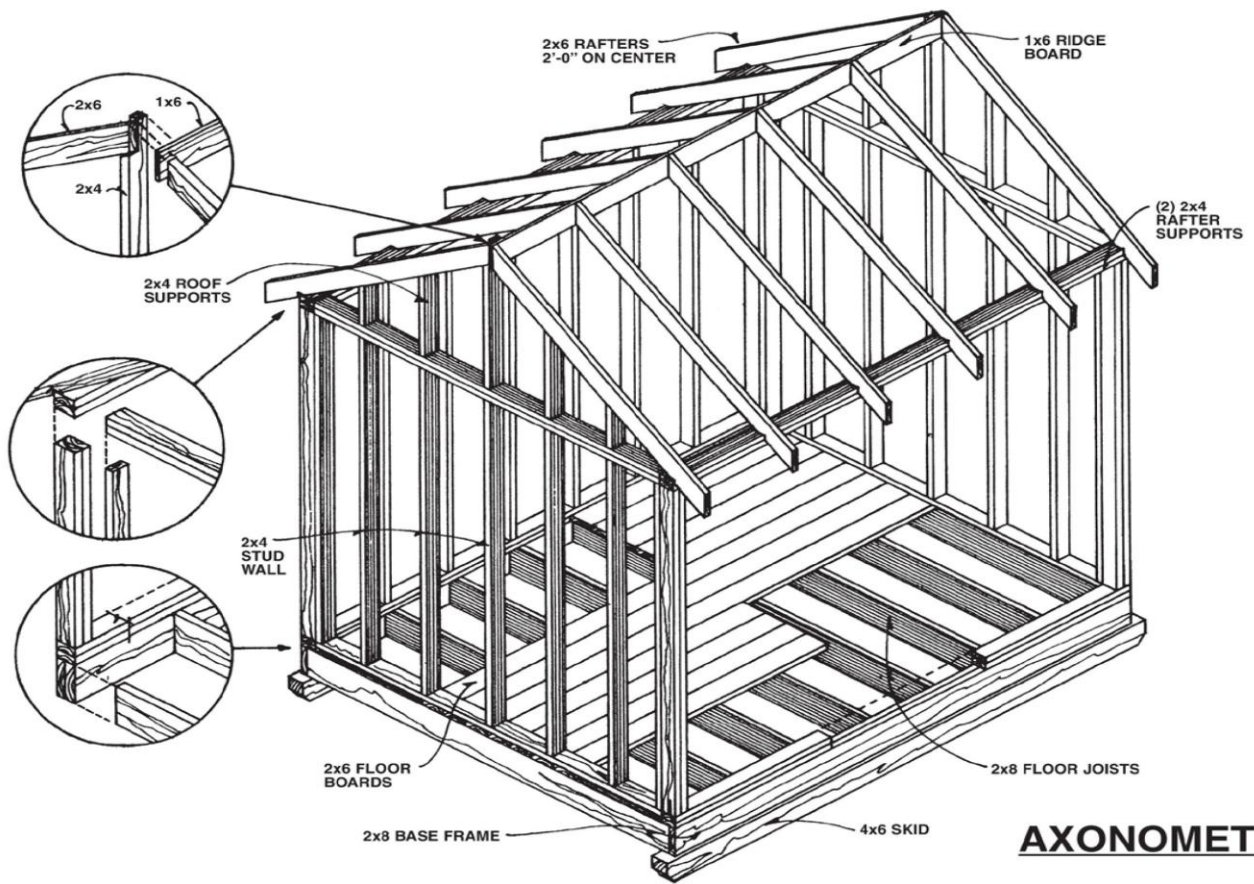
Do not use standard carbon-steel or aluminum products in direct contact with pressure-treated wood. Spacer materials or other physical barriers are recommended to prevent direct contact. In addition, electroplated galvanized metal products generally have a thinner layer of protection compared to hot-dip galvanized and are typically not accepted by the building codes for use in exterior applications.

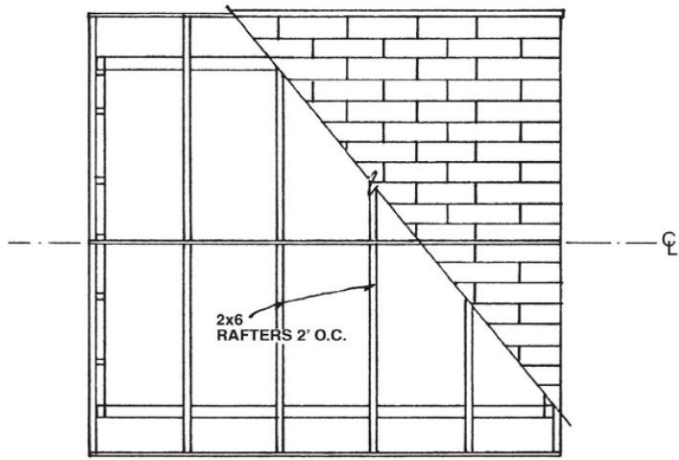
Fasteners and connectors coated with proprietary anti-corrosion technologies (other than stainless steel or hot-dip galvanized) are also available for use with treated wood. Consult individual hardware manufacturers for specifics regarding the performance of their products with treated wood.

CONSTRUCTION STEPS

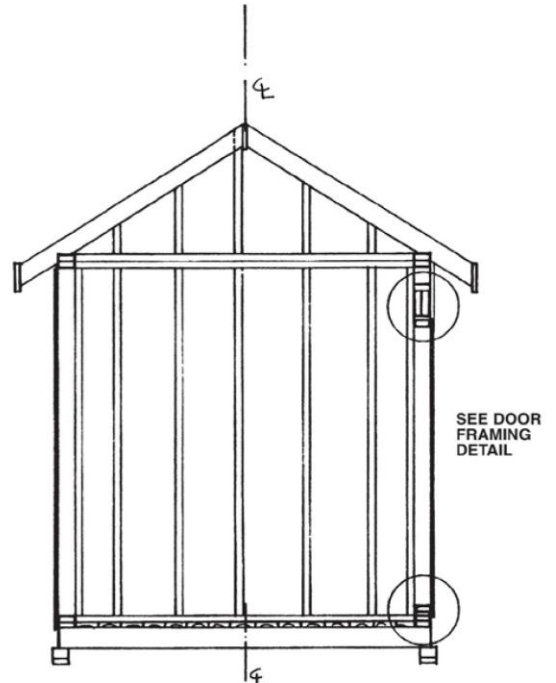
1. Determine exact location of your storage shed. Position 4x6 skids at ground level parallel to the front and rear of the shed. Use stakes, line, and level to aid placement of skids.
2. Cut the two 10' 2x8s to 9'-11" and four of the 8' 2x8s to 7'-8" long. Build the 2x8 base frame with these members, using 10d nails and construction adhesive. Use a double 2x8 on each side. Refer to plan and detail section "D".
3. Toe-nail base frame to 4x6 skids using 12d nails and construction adhesive. Check to be sure base is level and square.
4. Install seven 2x8 floor joists (cut 7'-8") 16" on center, according to plan. Attach to base frame using 10d nails (end nailing), 12d nails (toe-nail), and construction adhesive. Check each joist/frame joint for square.
5. Attach a 10' 2x4 (trimmed to 9'-11") to top front and rear edge of base frame; use 10d nails. This becomes a plate for 2x4 stud wall.
6. Install 2x6 floor. Trim the eighteen 10' 2x6s to 9'-11". Attach to base frame and floor joists using 10d nails and construction adhesive.
7. Fabricate the rear 2x4 stud wall using 7'-7½" lengths. Use a double 2x4 on each end, with studs 16" on center, plus an extra stud at the center. Nail studs to 9'-11" 2x4 top and bottom members using 10d nails. Refer to plan and detail section C. Attach finished wall frame to 2x4 plate with 10d nails and construction adhesive.
8. Fabricate the two side wall 2x4 frames using 7'-7½" lengths 16" on center. Start at the center of the 7'-4" wall section and space studs as shown on the plan. Nail studs to 2x4 top and bottom members using 10d nails. Attach finished wall frame to ends of floor boards using 10d nails and construction adhesive.
9. Fabricate front wall 2x4 framing using 7'-7½" lengths. End sections are double-end 2x4s with a center stud nailed to common 2x4s top and bottom. Finished wall frame is 2'-10¼" wide. Attach to 2x4 plate using 10d nails and construction adhesive. At the doors, the inside 2x4s are cut 6'-9" from top of base frame to support double 2x6 header (4'-3" long) over door opening. Use 10d nails for all framing assembly. Refer to Sections A & B for details.
10. Connect wall frame sections with 2x4 top plates. Use 7'-11" lengths at the sides and 9'-4" lengths front and rear; attach with 10d nails. Front and rear top plates become rafter supports. Wall framing is complete; check for square.
11. Cut 2x6 rafters from 12' lengths. Refer to plan for roof slope and notch detail.
12. Cut two 2x4 supports for the 1x6 ridge board; make each support 2'-9" long. Notch one end to receive 2x6 end rafters. Toe-nail into place at center of side walls using 12d nails. Attach 1x6 ridge board using 8d nails and construction adhesive. Ridge board should extend 1" above 2x4 center support.
13. Install roof rafters 2'-0" on center. Nail to ridge board using 10d nails; toe-nail to rafter support using 12d nails. Framing is complete.
14. Enclose wall framing with treated plywood siding panels. Attach to studs using 6d nails and construction adhesive.
15. Attach 1x8 fascia to ends of rafters using 6d nails and construction adhesive.
16. Cover roof framing with 1/2" sheathing plywood; use 6d nails and construction adhesive. Add a layer of roofing felt. Attach galvanized eave drips to roof edges with roofing nails. Install shingles with roofing nails.
17. Complete trim work. Install corner trim to cover plywood siding joints, using 1x2 material. Add 1x4 trim to cover siding panel joint on side walls; trim 8' lengths to fit between corner trim. Cut 1x8 material for exterior gable trim, matching the profile of the rafters. Attach flush with edges of roofing and 1x8 fascia. Install all trim using 8d nails and construction adhesive.
18. Build the two doors. Cut two panels of treated siding 2'-0" wide by 6'-8" high. Attach the 2x4 frame as shown in the plan. Hinge side of 2x4 frame is flush with edge of panel. Recess top and door handle side of frame 1" from edge of siding panel. Recess bottom member of door frame 2" to clear floor boards when door is closed. Add diagonal 2x4 brace. Build frame using 10d nails and construction adhesive. Attach siding to frame using 6d nails and construction adhesive. Hang doors using the galvanized butt hinges and screws. Add your choice of door handles, plus some kind of lock and hasp for security, if desired.
19. Refer to the plan if you want to build the optional 3'x4' ramp to help you move heavy tools and equipment in or out more easily. Cut a 2x8 diagonally for the sides; add a 4' length to the ends, plus a 2x6 and 2x4 brace inside. Use 10d nails and construction adhesive to build this simple frame. Attach a treated siding plywood panel to the top using 6d nails and construction adhesive.
20. Now that construction is complete, apply a coat of water-repellent sealer to the floor and all exterior wood surfaces.



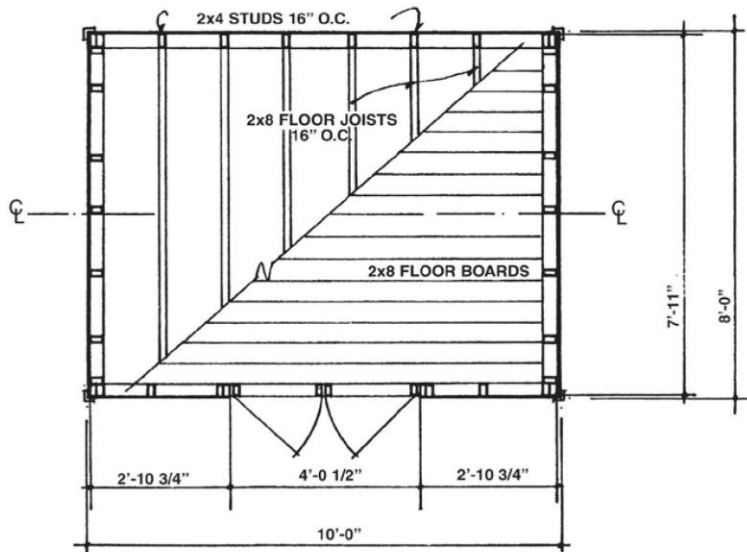




ROOF PLAN



SECTION A-A



FLOOR PLAN



Disclaimers and Other Legal Stuff ... Again

HuntUSA.org®, HuntSports.com®, TheNationalHuntingConsortium®, ThePolak®, WeFixItUSA.com®, eSeekGod.com®, iAskGod.com®, it's owners, operators, nor any of our other world wide web venues, retailers, subsidiaries, suppliers, vendors, manufacturers, non-profits, members or any associates whatsoever, assumes any responsibility or liability, express or implied, for the use of, or misuse of, any product either bought, sold, listed, offered, or shown herein or offered thru any other sales or marketing web-site or venue. All City, County, State, and Federal Laws and Ordinances must be strictly adhered to and are the sole responsibility of the buyer. We make no warranties, expressed or implied, other than those as stated by the manufacturer. No information provided by us or sold by us shall be rented, sold, or given away to any third party business or individual without the copyright owner permissions. We will never willfully disclose any information about our site visitors without first receiving the visitor's permission to do so. Any Do-It-Yourself, or Handyman Guides are designed to help you and there are no warranties, either express or implied and your results will differ from others, based on knowledge and skill levels. The fundamental concept of this information provided herewith is that you read, study and possibly utilize this product as a "starting point" for going forward with planning your project; If you need to perform independent research, then do so and judge for yourself the merits of the material that has been provided herewith.

BigDaddy@HuntSports.com recommends and endorses specific ideas, concepts and opportunities and cannot be liable for same. You should carefully consider whether our plans, ideas, concepts, How To and DIY programs or information is appropriate for you personally, in light of your experience, objectives, financial resources and other personal circumstances. The websites and all information technology and information provided herein are for guidance and information purposes only and their content for products and services offered are not intended to provide investment, tax, business development or other legal advice. The information contained herein has been compiled from sources deemed reliable and accurate to the best of our knowledge. However, we cannot guarantee the accuracy, completeness and cannot be held liable for any errors or omissions. Changes may be made periodically and at any time. We herewith deny any responsibility to update any previously purchased PDF's or copies of CD's etc.

All information contained herein should be independently verified and confirmed by appropriate sources and we do not accept any liability for any loss or damages whatsoever and the reader, or user, herewith agrees to indemnify and hold us harmless for any damages, costs or expenses, including any legal fees, potentially resulting from the application of any of the information provided herewith. This disclaimer applies to any damages or injury caused by any failure of performance, error, omission, interruption, deletion, defect, delay in operation or transmission, computer virus, communication line failure, theft or destruction or unauthorized access to, or use of record, whether for breach of contract, tort, negligence, or under any other cause of action. Furthermore, this disclaimer applies to any damages or injury caused by any failure of performance of any product supplied by others and used in conjunction with our information whether due to product failure, stress, welding error, welding or support omission, seam or weld interruptions, item adds or deletions, or any other defect whatsoever. It should not be assumed that future results will equal past performances and we make no guarantees that you will have success... but we pray you will indeed.

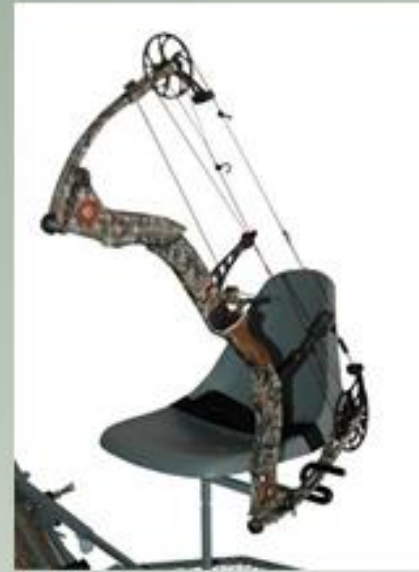
Reader agrees to assume all risk resulting from the application of any of the information provided herewith and by using any PDF or CD application, web site, including any applets, software or hard copies, and any content contained herein, the visitor agrees that the use of this information product is entirely at his or her own risk.



HuntSports 2014 Product Showcase

HuntSports Bowhunting Products

Tree Stands & Accessories



Click [Here](#) for a Full Selection of Our Latest Bowhunting Products and Accessories.

LIKE US ON FACEBOOK AND TWITTER and save up to
50% OFF Any of BigDaddy's Build-Your-Own Plans



HuntSports Bowhunter Food Plot Products



Click [HERE](#) to see Our Full Selection of Food Plot Seeds, Mineral Supplements, ATV Tillers and More.



HuntSports Deer Blind Product Update



Click [HERE](#) to See Our Full Selection of Deer Blinds and Towers

LIKE US ON FACEBOOK AND TWITTER and save up to **50% OFF** any of BigDaddy's Build-Your-Own Plans



HuntSports Deer Blind Product Update



Click [HERE](#) to See Our Full Selection of Deer Blinds and Towers

LIKE US ON FACEBOOK AND TWITTER and save up to **50% OFF** any of BigDaddy's Build-Your-Own Plans



BigDaddy's Build-Your-Own Deer Blind Plans

2013 Camper Conversion



After



LIKE US ON FACEBOOK AND TWITTER and save up to **50% OFF** any of BigDaddy's Build-Your-Own Plans



HuntSports Deer Feeder Parts



Watertight Lid for the top of the drum

Galvanized Steel Lid



Polyethylene Lid

55 Gallon Barrel



Feeder Parts



Polyethylene Funnel

Funnel fits tightly into the bottom of the drum



Spun Steel Funnel



Barrel band leg kit for mounting legs

Barrel Band



Feed dispenser units

Automatic Feeder Control



Gravity Feeder Unit



LIKE US ON FACEBOOK AND TWITTER and save up to 50% OFF any of BigDaddy's Build-Your-Own Plans



HuntSports Deer Feeder Updates

IR Hog Light Wildlife Feeders



Click [HERE](#) to see our Full Selection of IR Feederlights



HuntSports Infrared Hog and Feeder Lights



LIKE US ON FACEBOOK AND [TWITTER](#) and save up to 50% Off any of BigDaddy's Build Your Own Plans



HuntSports Hog Light Kits

Hog Hunting Light Kits



Remotes



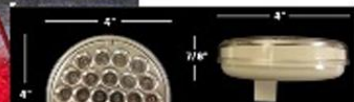
Dusk / Dawn Sensors



Night Vision Scopes



Infrared Lights



Click [Here](#) to Visit [HuntSports.com](#) to See Our Selection of DIY Hog Light Kits.



HuntSports Hog Light Components



Dusk to Dawn Sensors



Power Supplies



Remote Control Units



**Super Bright LED's
Available in Multiple Colors**

**Looking to Build Multiple Units?
E-Mail BigDaddy@HuntSports and ask about Package Deals**



You Tube



Click [Here](#) to Visit HuntSports YouTube Channel

Subscribe and save up to 50% off Any of
BigDaddy's Build-Your-Own Plans

DIGISIGHT

MODELS | Copyright © 2010

Hunt Sports

.COM

We're ALL Your Hunting Needs™

NW DIGITAL



1 MAIN MENU

The Digisight main menu includes brightness control of the reticle, choice of the reticle shapes as well as setting of ranging time.

2 WINDAGE/ELEVATION KNOB

Reticle adjustment (movement of the reticle horizontally and vertically during sighting) is performed by a special knob. Switching from the horizontal movement mode to the vertical and vice versa is performed by pressing a button located right on the knob.

3 WEAVER 7/8"

Half Weaver on the left side of the body is used for attaching additional accessories.

4 Mini-USB

The mini-USB port allows the riflescope to be connected to a personal computer or a laptop to upload additional (including user-constructed) aiming reticles.

5 QUICK IMAGE ADJUSTMENT

A group of functions including **Control mode** (for a sharp contrast increase), **Color mode** (successive change of LCD display's illumination color) and **SunLight mode** (enhance sensitivity enhancement algorithm) are available.

6 VIDEO IN / VIDEO OUT

The Digisight N100 is equipped with a socket for connection of external video recording sources or video playback sources. Switching from VIDEO IN mode to VIDEO OUT is performed by pressing a button located near to the socket.

7 EXTERNAL CONTROL

The Digisight N100 can be operated with the help of a remote control which replicates activation functions of the riflescope. IR illuminator and reticle inversion (see point 11). The riflescope can be powered both with 4 AA batteries, as well as with external power sources.

8 INTERNAL FOCUSING

The optical system employs an internal focusing mechanism (focus is controlled) with variable-click stop focus positions. The focusing provides clear images at extremely short distances as well as optimum quality at all distances within the riflescope's working range.

9 BRIGHTNESS ADJUSTMENT WHEEL

adjusts optimum brightness of screen's glow for each specific case.

10 BUILT-IN IR ILLUMINATOR

is recommended for usage at insufficient levels of natural illumination for improvement of observation quality.

11 RETICLE INVERSION

The inversion button allows changing color of the aiming reticle from black to white. The choice of reticle color is subject to the target's brightness.

12 SCREEN

The choice of one of the four operating modes (dark screen, aiming reticle mode, «Clock» mode, aiming reticle & Clock mode).

13 LENS CAP

The riflescope's lens is covered with a plastic cap. The lens cap is fixed on the scope's body for better lens protection.

14 POWERING UP

the unit and the built-in IR illuminator is carried out successfully by gradual turning of the selector switch.



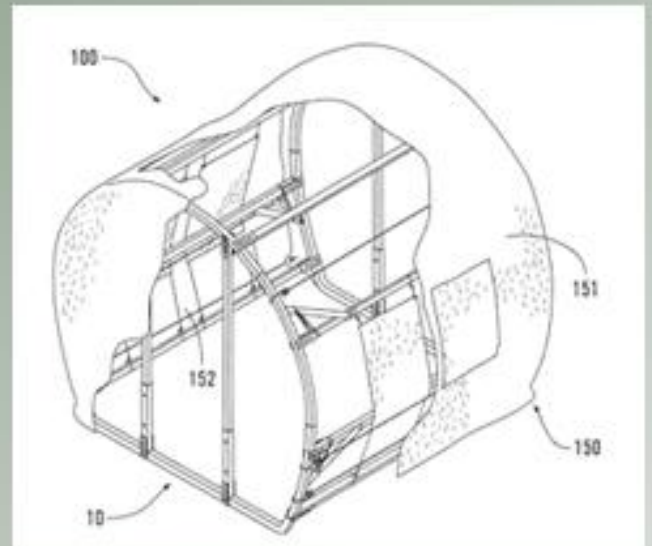
HuntSports NVRS/IR Riflescopes



Click [Here](#) to View Our Full Selection of Night Vision Equipment



Build Your Own Blinds



LIKE US ON FACEBOOK AND [TWITTER](#) and receive up to 50% OFF any of BigDaddy's Build-Your-Own Plans



Customer ... Model 2014



LIKE US ON FACEBOOK AND TWITTER and save up to 50% OFF any of BigDaddy's Build-Your-Own Plans





Deer Blind Windows



DIY Plans

.. and more

Deer Blind Windows



Plans, Kits, Aluminum and Wood
By-Pass Sliders & More



Deer Blind Windows

DeerBlind



WINDOWS

Deer Stand Packages



LIKE US ON FACEBOOK AND TWITTER and receive up to 50%
OFF any of BigDaddy's Build-Your-Own Plans

Deer / Wildlife / Fish - Feeder Ideas



Barrel Band

Lid

Barrel Funnel

Varmint Cage

12V Control

Battery

Solar Panel

Lake Pond River

Build Your Own FLOATING Fish Feeder

Hunt Sports
Deer All Your Hunting Needs

LIKE US ON FACEBOOK AND TWITTER and receive up to 50% OFF any of BigDaddy's Build-Your-Own Plans

Deer / Wildlife / Fish - Feeder Ideas

Feeder



Plans

Feeder Package



LIKE US ON FACEBOOK AND TWITTER and receive up to 50% OFF any of BigDaddy's Build-Your-Own Plans



DROP TUBE ... Directional Throw



Feeder Parts
Barrel Bands
55 Gallon Kits
Protein
Free Choice

Soybean

CORN



Crank-Up
Winch-Up
Feeder Parts Kits

LIKE US ON FACEBOOK AND TWITTER and save up to 50% OFF any of BigDaddy's Build-Your-Own Plans

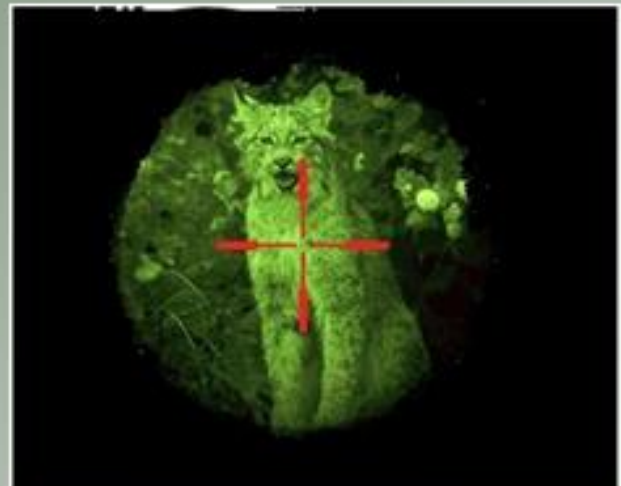
HuntSports Feeder-Light Ideas & Kits



HogLights



12V Remote



LIKE US ON FACEBOOK AND TWITTER and save up to **50% OFF** any of BigDaddy's Build-Your-Own Plans



HuntSports Thermal Imaging



LIKE US ON FACEBOOK AND TWITTER and receive up to **50% OFF** any of BigDaddy's Build-Your-Own Plans

