



# Deer Blind Checklist

		Brand 1	Brand 2
✓	NO BLIND SPOTS - BigDaddy says the "no blind spot" feature may not be as valuable as it may appear at first glance. Considerations must be given to your hunting area, the actual use and stand locations and other set up and hunting access functions of your blind. Some blind and window configurations create backlighting , sky-lighting issues that will expose movement in the blind that are highly visible at long distances.		
✓	HIDE-AWAY WINDOW SYSTEMS - there are several systems available today that will eliminate and block "sky-lighting" issues and interior movement. HuntSports.com offers a wide variety of see-thru window systems, glass tinting options, shadow and shade cloth screen, one-way imaging films and other items and products to customize your deer hunting blind windows.		
✓	WINDOW TRACK DESIGN - proper design and attention to window details will allow for steady shots and increased long range accuracy and shooting. If you are building your own blind you definitely want to check out the various HUNTSPO RTS QUIET SLIDE WINDOW TRACK SYSTEMS. <a href="http://www.huntsports.com/deerblind-windows-aluminum-c-24_234_70.html">http://www.huntsports.com/deerblind-windows-aluminum-c-24_234_70.html</a>		
✓	LARGE, OPEN SHOOTING PORTS ... when building your own deer blind be sure to check out HuntSports selections of bow hunting window options, rifle window options, horizontal slider windows, single hung window units and more.		
✓	BUILT IN CORNER SHELVES / GUN SLOTS - when building your own blind you can use a wide variety of overhead gun racks, built-in shelves and storage for binoculars, ammo, range finders, cameras and more. Carpeted shooting shelves at the proper level will aid in gun steadiness and allow for use of shooting aids, sand bags etc. Be mindful of things like multiple sizes of windows offered, large windows, small windows, shooting "ports" and even ADA wheelchair friendly heights.		
✓	ADA OPTIONS - Will your deer blind ever be used with small children, the elderly, ADA impaired users or maybe with a wounded warrior project hunt? Headroom and the ability to move around are definite considerations depending upon the use and location of a blind.		
✓	OVERALL SIZE CONSIDERATIONS - some consideration should be based on use and whether or not the blind will be a ground unit or tower blind and for how many people will occupy the unit at any given time. Single hunter typical 4' X 4' or 2-3 Adults, or a Child with some gear etc. , where a 4' X 8' or 5'x6' might be your best choice. Need help? Email BigDaddy@HuntSports.com		
✓	EASY SET UP / MOVING - BigDaddy says that "Easy Set up" is a subjective matter based on stand and design, the location to be installed, help considerations, assembly and dis-assembly considerations. However, that being said, most modern deer stands and manufactured deer blinds are very easy to assemble ( 2-3 Hours ) and set-up, even in remote areas.		
✓	STRUCTURAL COMPONENTS - things like rust-proof aluminum frames, angle steel or iron, corner post construction, window framing, rust resistant powder-coating on steel, tower steps, handrails & parts that are powder-coated, galvanized steel bases and frames, wood stick framing and supports - all will help determine the suitability and load bearing characteristics of a blind or shooting tower.		
✓	TIE DOWN and ANCHORING SYSTEMS - Earth Anchors, Anchor Kits, Post Anchors, Rock Anchors, Screw Anchors - all very important to your long term safety and high wind situations.		
✓	ROOF SYSTEMS - the most important feature is a "water-proof" design. Most modern deer blind systems offer a one piece design roof system without seams etc. Remember that most blinds are not built to support heavy snow loads, so some modifications or supports may be in order if you live in snow country.		
✓	SHIPPING - there can be several factors related to deer blinds and stands shipping across country. Most units will go out the door in 48-72 hours after you place an order for your unit, however, most are shipped by LTL Freight Shipping - and this normally takes 3 - 7 working days, depending on your USA Location. Costs of LTL Freight is based on pallet weight, distance and Motor Freight Carrier class rates etc. You can cut some shipping costs by shipping to a place of business with a dock - maybe your workplace? Or by picking up the blind at the nearest local Freight Terminal - "will call" at their dock.		
✓	THE BOTTOM LINE - BigDaddy has been testing and building deer blinds and stands, tripods and deer stands since 1977, and we have built custom blinds, portable trailer stands, portable tower stands, winch operated elevator blinds, we've assisted and helped design Texas hunter style executive blinds and towers - so this is not our first rodeo, as they say. There are many "Affordable" Hunting Blinds and Stands available for today's whitetail trophy hunter - But I will be the first to tell you - "all deer stands are not created equal" - so having a friend in the hunting blind industry may be to your advantage. BigDaddy@HuntSports.com .. or Call me at (719) 531-0961		

## In the market for a new deerstand, deer hunting blind or shooting tower blind? BigDaddy says you ought to consider these things before you make a decision.

**SAFETY - FUN - ENJOYMENT - SAFETY** - Staying warm, dry, comfortable while hunting - Even in Bad Weather - heavy snow, ice etc. - what more could you ask for? Consider the long term benefits of a quality shooting tower with a safe set of stairs with non-slip treads, a handrail for a safe entry and exit and you'll begin to see the long-term benefits of a quality deer blind. Insulated hunting blinds, heated deer blinds, top quality quiet sliding windows, no corrosion or rust, no wood rot, rodent and bug proof with a lifetime warranty, easy to assemble and even easy to relocate to another hunting property - now you're getting the picture!

**Visibility** is very important and the deer blind windows are the single most important factor to consider. Where unit will be located also plays a role here. Statistics prove that few tower blinds are relocated on a regular basis. Once set, they stay for many years. Evaluate the "sky-lighting" issues, type and location of hunting land? Open Fields, Senderos, Ground Blinds vs. Tower blinds etc. Wide Open "clear visibility" out of your new deer stand may be an issue? When sitting inside a deer blind for hours, you'll spend a lot of time moving your head looking around four window openings, trying to survey the views. Movement is the number one "tip off" for Trophy Deer. That's why HuntSportsoffers a wide range of options from window systems with perforated camo window film that allows the person inside the blind to see-through, even with binoculars, while deer cannot see in from the outside; Combinations of clear, solid, and Tinted Plexi window panels; Adjustable windows for multiple visibility options. Concealment is a key feature to consider in a deer blind. The ability to conceal your sound and your movements. Adding "sound absorption materials" like carpets etc. may be an added feature.

**"Shoot-Ability"** is the quick and silent access to a large enough open window or port for shooting at that buck of a lifetime; Steadiness in the wake of your "excitement" is also a key aspect to design; Silent track window slides another, a built-in gun rest as part of shelf design or window design is another factor that helps; "Shoot-Ability" and "Comfort" are directly related to your success according to BigDaddy - Being comfortable in a deer blind or stand may seem like a real stretch, unless your over 40 Years old. Good quality blinds and stands can make all the difference in the world - being relaxed and comfortable will keep you in the field longer, and the longer you are afield, the better the chances at a trophy buck!

**Durability IS IMPORTANT!** Real Value Equals Costs Plus a Blinds Ability to Withstand The Elements for a long time without significant deterioration. When investing in a product that will be outdoors for many years to come, in all kinds of weather conditions the last thing to worry about is maintenance. Blinds made from wood can be heavy, expensive and must be painted and maintained; Steel blinds rust over time; Fiberglass can crack and is hard to repair unless you know how; Good and durable Polymers and Modern Age Plastics are not the same as 30-40 years ago. Thin plastic is not so thin and flimsy as in the old days; Modern POLYCARBONATE Materials, Polyethylene high density Plastics with UV inhibitors and such are very desirable and light weight;

**User-Friendly Set-up** is important! Getting your new deer blind or shooting tower stand out to the deer lease or hunting property and getting it set-up is an important step! The blinds and stands we sell are BigDaddy "evaluated" for easy assembly, overall strength and investment value. Most are shipped "KD" or "knocked-down" by design with complete and simple directions for assembly - this makes them easy to set-up anywhere. All parts are pre-drilled and pre-cut for precise assembly; Just follow the step-by-step instructions using the hardware provided, common sense and you'll see why BigDaddy says - "it's so easy, your wife can even help you do it"

Please Consider using this Free Blind Comparison Checklist when shopping for your next Deer Blynd, Deer Stand or Shooting Tower - Have Questions - Contact [BigDaddy@HuntSports.com](mailto:BigDaddy@HuntSports.com)



# HuntSports Deer Blind Product Update



Click [HERE](#) to See Our Full Selection of Deer Blinds and Towers

**LIKE US ON FACEBOOK AND TWITTER** and save up to 50% OFF any of BigDaddy's Build-Your-Own Plans



# BigDaddy's Build-Your-Own Deer Blind Plans

## 2013 Camper Conversion



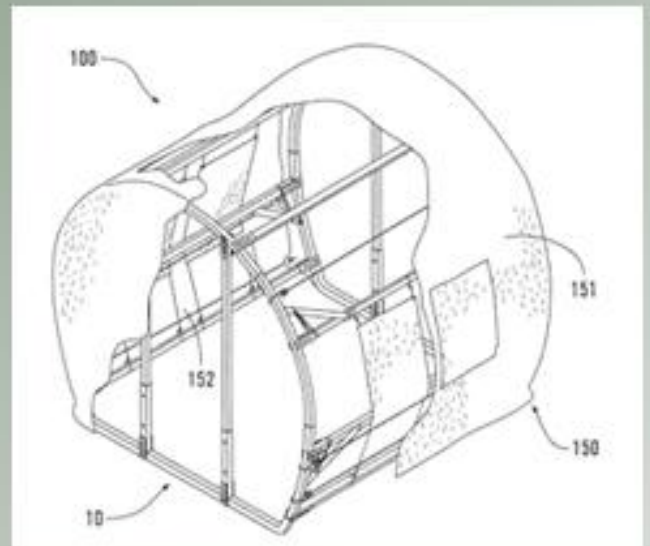
## After



**LIKE US ON FACEBOOK AND TWITTER** and save up to **50% OFF** any of BigDaddy's Build-Your-Own Plans



# Build Your Own Blinds



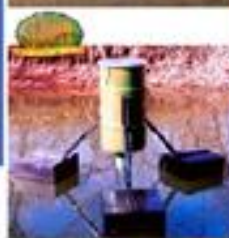
LIKE US ON FACEBOOK AND TWITTER and receive up to 50% OFF any of BigDaddy's Build-Your-Own Plans



# Build Your Own Blinds



## Build Your Own



Build Your Own



# Customer ... Model 2014



**LIKE US ON FACEBOOK AND TWITTER and save up to 50% OFF any of BigDaddy's Build-Your-Own Plans**



# Deer Blind Windows

# DeerBlind



**WeFixItUSA**  
**Hunt USA.org**



# WINDOWS

## Deer Stand Packages



**Hunt Sports**  
We're All Year-Long Sports

**DeerBlind Windows**  
**Plans & How To**

**LIKE US ON FACEBOOK AND TWITTER** and receive up to 50% OFF any of BigDaddy's Build-Your-Own Plans



## Deer Blind Windows



## DIY Plans

.. and more

## Deer Blind Windows



Plans, Kits, Aluminum and Wood  
**By-Pass Sliders & More**



# Deer / Wildlife / Fish - Feeder Ideas

## Feeder



## Plans

## Feeder Package



**LIKE US ON FACEBOOK AND TWITTER and receive up to 50% OFF any of BigDaddy's Build-Your-Own Plans**



# Deer / Wildlife / Fish - Feeder Ideas



**Barrel Band**

**Lid**

**Barrel Funnel**

**Varmint Cage**

**12V Control**

**Battery**

**Solar Panel**

**Lake Pond River**

**Build Your Own FLOATING Fish Feeder**

**Hunt Sports**  
We're ALL Your Hunting Needs

**LIKE US ON FACEBOOK AND TWITTER and receive up to 50% OFF any of BigDaddy's Build-Your-Own Plans**

# DROP TUBE ... Directional Throw



**Feeder Parts**  
**Barrel Bands**  
**55 Gallon Kits**  
**Protein**  
**Free Choice**

**Soybean**

**CORN**



**Crank-Up**  
**Winch-Up**  
**Feeder Parts Kits**

**LIKE US ON FACEBOOK AND TWITTER and save up to 50% OFF any of BigDaddy's Build-Your-Own Plans**

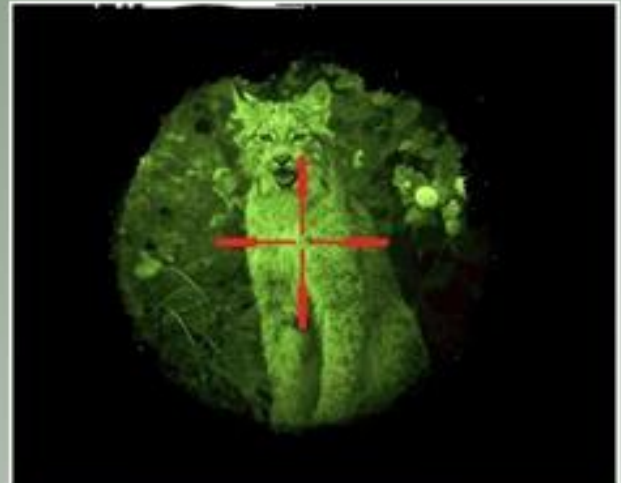
# HuntSports Feeder-Light Ideas & Kits



## HogLights



## 12V Remote



**LIKE US ON FACEBOOK AND TWITTER** and save up to **50% OFF** any of BigDaddy's Build-Your-Own Plans



# HuntSports Thermal Imaging



**LIKE US ON FACEBOOK AND TWITTER and receive up to 50% OFF any of BigDaddy's Build-Your-Own Plans**

