

DIY Trashcan & Firewood Storage Unit



Trash Can and Firewood Storage Unit

Message and Disclaimers:

Please review all aspects of your project and before you begin, determine all aspects of your finished project. Examples of this would be such things as mounting diameters - for instance to a tree with unknown sizes may be different than mounting it on a telephone pole or object of a known size? Are you going to be building your project out of wood, composites, steel or aluminum etc. - be aware that some dimensions may require adjustments as determined by the type and use of certain materials;

Remember you may choose to build with materials you have lying around the house, your barn or shop. As an example, when it comes to strength different sizes, varying dimensions, product weights and thickness may vary widely. Some other examples that come to mind might be in using materials such as angle steel vs. tube steel or u-channel vs. wood or other materials.

Other examples that you should pre-determine for your particular project would be the size, weight bearing and load capacities - FOR EXAMPLE - The Structural Integrity required for a safe and durable project - i.e., if you weigh 316 lbs vs. 155 lbs what changes may need to be addressed.

Big-Daddy's Bottom Line - THINK BEFORE YOU START! *It is of the utmost importance that you completely review all specifications and adapt them to your desired project for optimum results and satisfaction. We assume no liability whatsoever - Verification and acceptance of all measurements as outlined are the final responsibility of the fabricator (that's You!) We assume no liability for the use or misuse of any plan, products or materials utilized, or any other aspects or outlines as may be provided here with. This item is provided for your personal use only and not for resale or distribution without prior written consent.*

Disclaimers and Other Legal Stuff

HuntUSA.org®, HuntSports.com®, TheNationalHuntingConsortium®, ThePolak®, WeFixItUSA.com®, eSeekGod.com®, iAskGod.com®, it's owners, operators, nor any of our other world wide web venues, retailers, subsidiaries, suppliers, vendors, manufacturers, non-profits, members or any associates whatsoever, assumes any responsibility or liability, express or implied, for the use of, or misuse of, any product either bought, sold, listed, offered, or shown herein or offered thru any other sales or marketing web-site or venue. All City, County, State, and Federal Laws and Ordinances must be strictly adhered to and are the sole responsibility of the buyer. We make no warranties, expressed or implied, other than those as stated by the manufacturer. No information provided by us or sold by us shall be rented, sold, or given away to any third party business or individual without the copyright owner permissions. We will never willfully disclose any information about our site visitors without first receiving the visitor's permission to do so. Any Do-It-Yourself, or Handyman Guides are designed to help you and there are no warranties, either express or implied and your results will differ from others, based on knowledge and skill levels. The fundamental concept of this information provided herewith is that you read, study and possibly utilize this product as a "starting point" for going forward with planning your project; If you need to perform independent research, then do so and judge for yourself the merits of the material that has been provided herewith.

BigDaddy@HuntSports.com recommends and endorses specific ideas, concepts and opportunities and cannot be liable for same. You should carefully consider whether our plans, ideas, concepts, How To and DIY programs or information is appropriate for you personally, in light of your experience, objectives, financial resources and other personal circumstances. The websites and all information technology and information provided herein are for guidance and information purposes only and their content for products and services offered are not intended to provide investment, tax, business development or other legal advice. The information contained herein has been compiled from sources deemed reliable and accurate to the best of our knowledge. However, we cannot guarantee the accuracy, completeness and cannot be held liable for any errors or omissions. Changes may be made periodically and at any time. We herewith deny any responsibility to update any previously purchased PDF's or copies of CD's etc.

All information contained herein should be independently verified and confirmed by appropriate sources and we do not accept any liability for any loss or damages whatsoever and the reader, or user, herewith agrees to indemnify and hold us harmless for any damages, costs or expenses, including any legal fees, potentially resulting from the application of any of the information provided herewith. This disclaimer applies to any damages or injury caused by any failure of performance, error, omission, interruption, deletion, defect, delay in operation or transmission, computer virus, communication line failure, theft or destruction or unauthorized access to, or use of record, whether for breach of contract, tort, negligence, or under any other cause of action. Furthermore, this disclaimer applies to any damages or injury caused by any failure of performance of any product supplied by others and used in conjunction with our information whether due to product failure, stress, welding error, welding or support omission, seam or weld interruptions, item adds or deletions, or any other defect whatsoever. It should not be assumed that future results will equal past performances and we make no guarantees that you will have success... but we pray you will indeed.

Reader agrees to assume all risk resulting from the application of any of the information provided herewith and by using any PDF or CD application, web site, including any applets, software or hard copies, and any content contained herein, the visitor agrees that the use of this information product is entirely at his or her own risk.

Taking out the trash and chopping firewood can be two chores no one really enjoys. And most people don't want the sight of trash cans and firewood to be part of their backyard landscape. Pressure-treated Southern Pine offers an answer to both concerns. Use it to build a handy storage unit to organize the woodpile and conceal the trash containers. This project plan will show you how.

This plan was designed to hold two 20-32 gallon containers. You can easily adjust the dimensions of this unit to fit a convenient location at your home or to handle larger, oversized containers.

TOOLS REQUIRED

- Circular or crosscut saw
- Hammer
- Square, level
- Screwdriver
- Carpenter's rule or tape

MATERIALS LIST

To build this storage unit, you will need the following quantities of pressure-treated Southern Pine lumber:

NUMBER OF PIECES	MATERIAL	LENGTH	SERVICE CONDITION
1	2x4	8'	Ground Contact
6	2x4	12'	Ground Contact
2	2x4	10'	Above Ground
1	2x4	12'	Above Ground
2	2x2	6'	Above Ground

Plus:

3 sheets, 4'x8', pressure-treated plywood siding, pattern T-111, 1/2" thick.

OTHER MATERIALS NEEDED

- 6d, 10d hot-dip galvanized or stainless steel nails (See Fastener Advisory)
- Two pairs of 3" galvanized butt hinges, with screws
- Door handles and closure hardware (lock & hasp) of your choice
- Construction adhesive for pressure-treated wood
- Water-repellent sealer
- Roofing materials: (to cover 20 sq.ft.)
- One sheet, 4'x8', sheathing plywood, 1/2" thick
- Roofing felt
- Asphalt or fiberglass shingles
- Roofing nails
- Galvanized roof ridge, 6' long



ADVISORY:

Fastener & Connector Performance for Treated Wood

Metal products in contact with pressure-treated wood must be corrosion resistant. Examples include flashing, termite shields, fasteners (e.g. nails, screws, and bolts), and all connecting hardware (e.g. joist hangers, straps, hinges, post anchors, and truss plates).

The International Residential Code, Section R319.3 states, "Fasteners for pressure-preservative treated wood shall be of hot-dipped galvanized steel, stainless steel, silicon bronze or copper. **Exception:** One-half inch (12.7mm) diameter or greater steel bolts."

Traditionally, the treated wood industry has recommended hot-dip galvanized or stainless steel fasteners and connectors for wood products treated with Chromated Copper Arsenate (CCA). Hot-dip galvanized or stainless steel fasteners and connectors continue to be recommended for use with alternative wood preservatives (e.g. Alkaline Copper Quat - ACQ - and Copper Azole), but additional clarification is needed to ensure adequate corrosion protection.

Type 304 or 316 stainless steel is recommended for maximum corrosion resistance in more severe exterior applications, such as swimming pools and salt-water exposure. Furthermore, stainless steel fasteners are generally required below grade for permanent wood foundations.

Hot-dip galvanized fasteners and connectors are generally acceptable for above grade applications. Hot-dip galvanized fasteners should meet ASTM A153 (with 2 ounces of zinc coating per square foot minimum for marine use) and hot-dip galvanized connectors should meet ASTM A653, Class G185 sheet with 1.85 ounces of zinc coating per square foot minimum. Fasteners and connectors used together should be of the same type (e.g. hot-dip nails with hot-dip joist hangers).

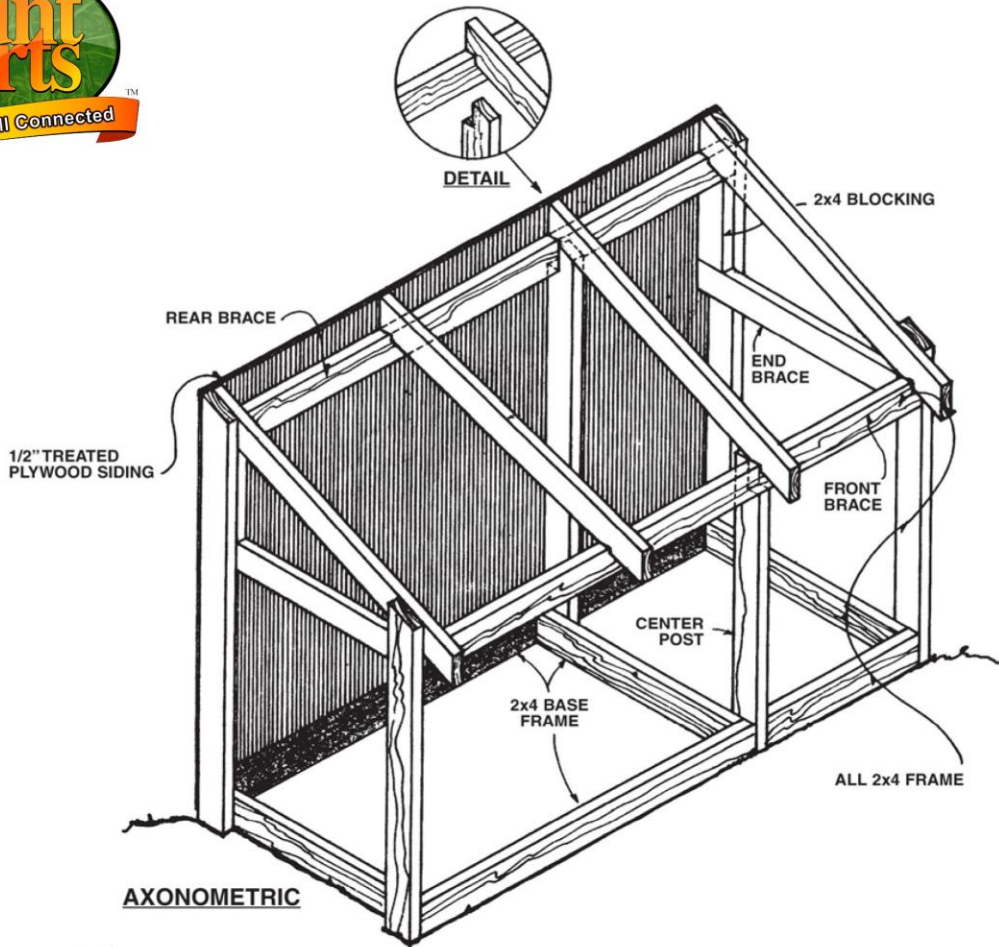
Do not use standard carbon-steel or aluminum products in direct contact with pressure-treated wood. Spacer materials or other physical barriers are recommended to prevent direct contact. In addition, electroplated galvanized metal products generally have a thinner layer of protection compared to hot-dip galvanized and are typically not accepted by the building codes for use in exterior applications.

Fasteners and connectors coated with proprietary anti-corrosion technologies (other than stainless steel or hot-dip galvanized) are also available for use with treated wood. Consult individual hardware manufacturers for specifics regarding the performance of their products with treated wood.

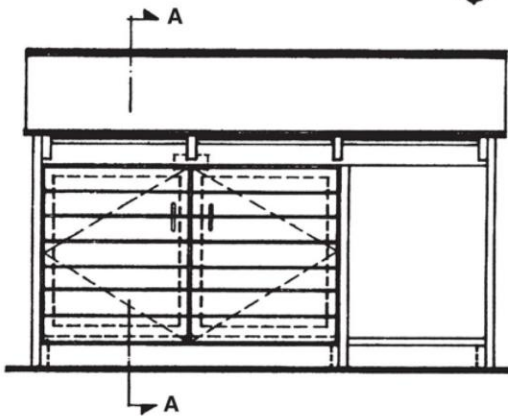
CONSTRUCTION STEPS

1. Pre-cut the following 2x4 pieces you will need:
 - From the 8' 2x4, cut 3 bottom frame supports, each 2'-2½" long.
 - From one of the 12' 2x4s, cut the remaining bottom frame members; cut 2 pieces 3'-10½" long and 2 pieces 1'-9" long.
 - From another 12' 2x4 (.40 pcf), cut the 2 rear corner posts each 4'-1" long, plus 1 front corner post 3'-3" long. Refer to plan for roof slope; cut 2x4 tops to match.
 - From another 12' 2x4 (.40 pcf), cut front and rear center supports 3'-8" and 2'-11" long, respectively. Notch them at the top to receive 2x4 brace. Refer to plan. Also, cut the other front corner post 3'-3" long.
 - From the single 12' 2x4 treated to a .25 retention level, cut the front and rear top supports (5'-9" long).
 - From each of the two 10' 2x4s, cut two rafters 3'-4" long and one end brace 2'-2½" long. Refer to plan for roof slope and notching required to make rafters.
2. Build the 2x4 frame according to the plan. Using 10d nails and construction adhesive, assemble bottom frame, add corner, and center posts. Check to be sure frame remains level and square.
3. Locate position of end braces and attach to corner posts using 10d nails. Rear end of brace should be flush with rear corner posts. Refer to plan.
4. Install 2x4 top supports (front and rear), fitting them to the notched center posts. Nail to center posts. Toe-nail to corner posts. End-nail front support to braces. Use 10d nails and construction adhesive. Check again for level and square.
5. At rear corner posts, use scrap 2x4 material to add blocking between end braces and rear top support. Attach to corner posts using 10d nails.
6. Toe-nail rafters into place, evenly spacing them across span of top supports. Use 10d nails and construction adhesive. End rafters can also be attached to corner posts. Refer to plan.
7. Cut a panel of the treated plywood siding to 4'-0"x6'-0". Attach to rear corner and center posts using 6d nails and construction adhesive. Tops of plywood panel and posts should be flush.
8. Cut six floor deck boards from the three remaining 12' 2x4s (.40 pcf). Notch front and rear members (as required) to fit around center posts. Position floor deck members 1" apart; refer to plan. Recess front member 1/2" for door. Attach floor deck to bottom framing using 10d nails and construction adhesive.
9. Cut treated siding panels to fit sides. Position them between corner posts and flush with bottom frame and end rafter. Attach to frame and rafter using 6d nails and construction adhesive.
10. Also from the treated siding, cut a square panel 2'-4" on a side to make divider panel. Attach to center posts using 6d nails and construction adhesive.
11. Build the two doors. Cut two plywood panels, each measuring 1'-10¼" wide by 2'-3" high. Using 6d nails and construction adhesive, attach 2x2 frame to inside of panel. Frame is flush with plywood edges on three sides; allow siding to extend 2" at bottom to clear floor deck.
12. Attach door to posts with galvanized butt hinges. Door siding panel and frame of units should be flush when doors are closed. Add your choice of door handles and closure hardware. Refer to details on plan. Fabricate a door stop using scrap plywood siding; attach to front top support with 6d nails and construction adhesive.
13. Install the roof. Attach 1/2" sheathing plywood to rafters using 6d nails and construction adhesive. This panel should cover the area outlined by the corner posts and rafters. Cover with roofing felt, then your choice of shingles; use roofing nails. Attach galvanized roof ridge to the rear corner and center posts using 6d nails.
14. Construction is complete. Apply a coat of water-repellent sealer to all exterior surfaces and to the floor deck.

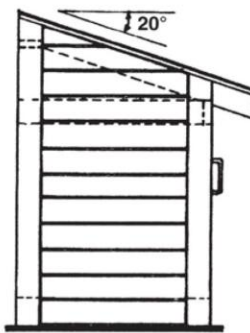




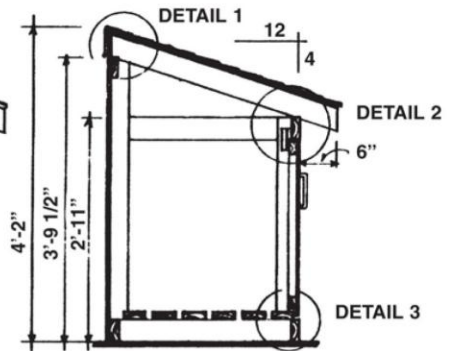
AXONOMETRIC



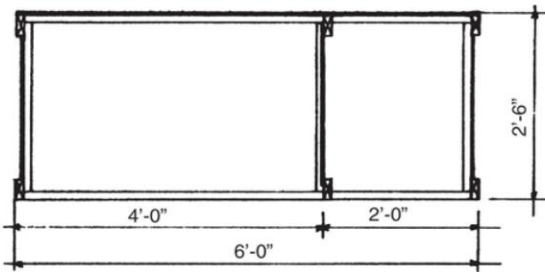
FRONT ELEVATION



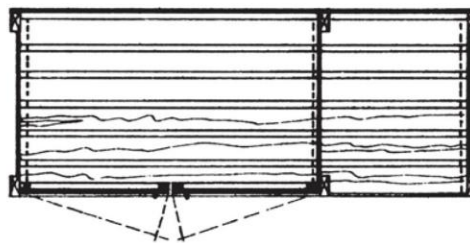
SIDE ELEVATION



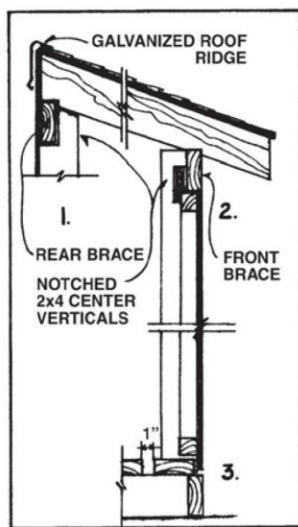
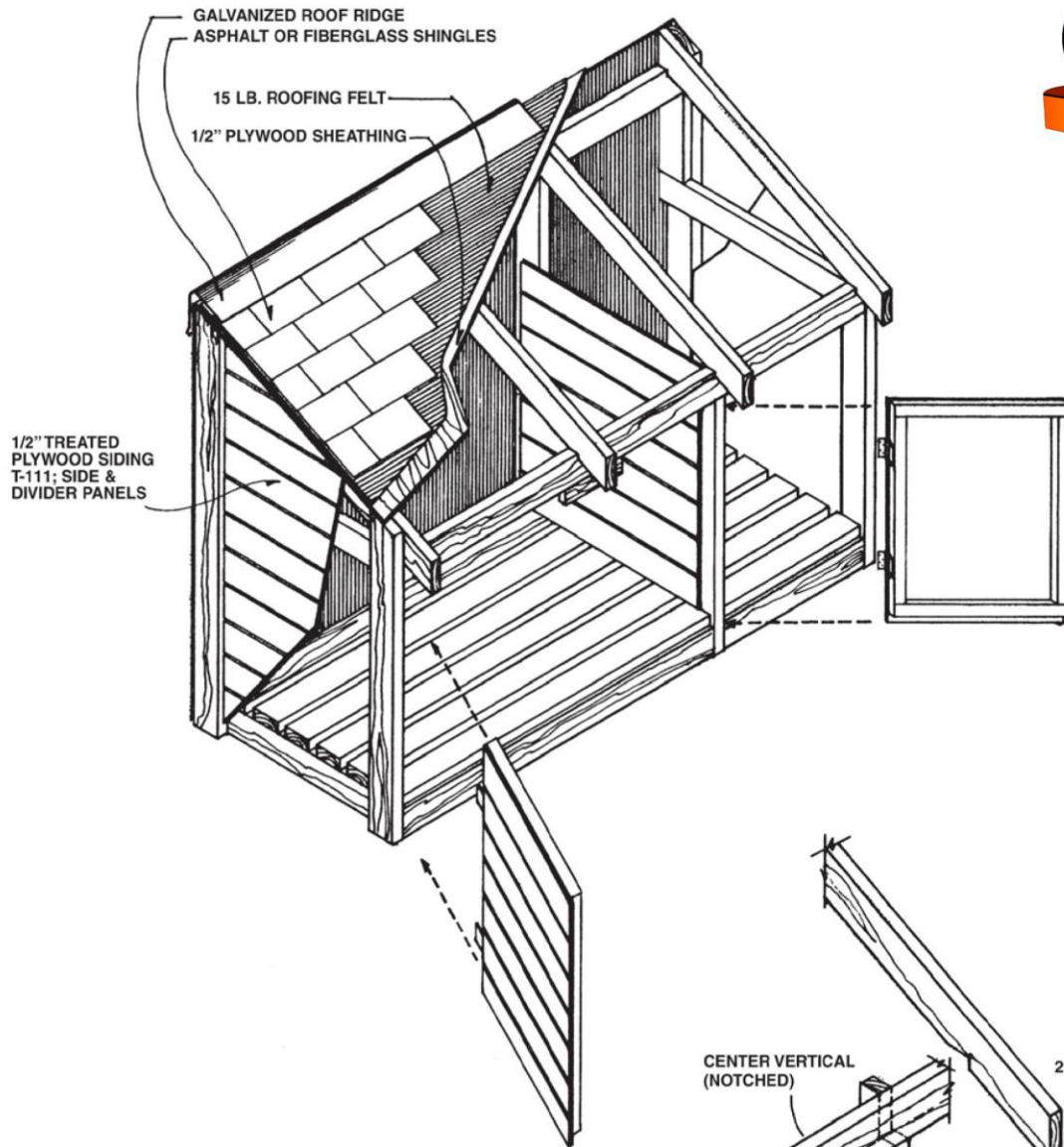
SECTION A-A



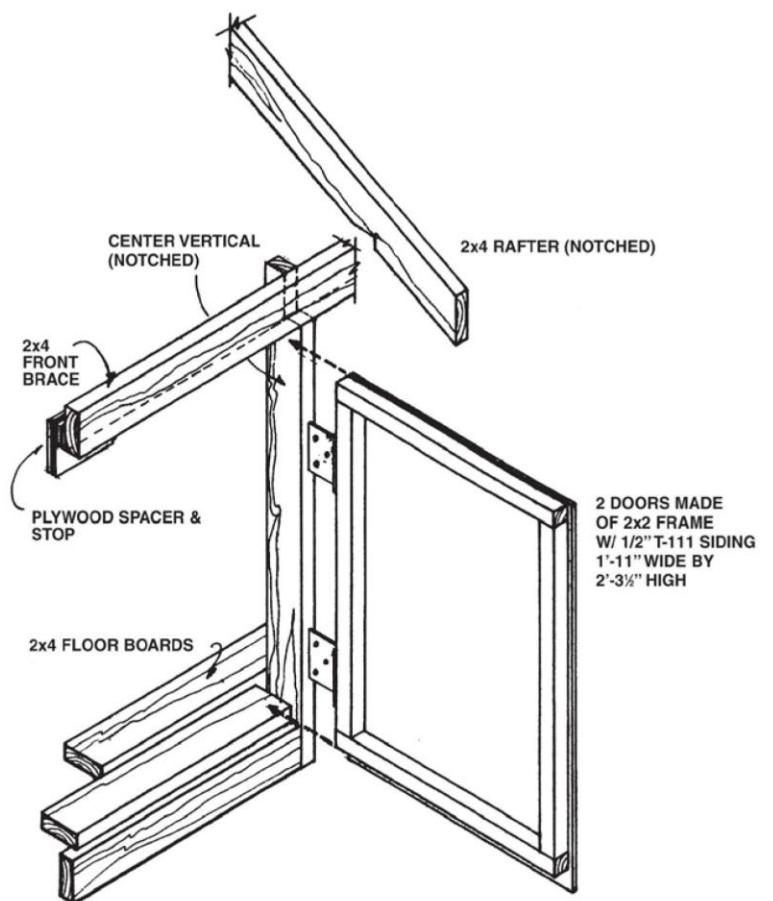
BASIC STRUCTURE



PLAN



DETAILS



DOOR DETAILS



Disclaimers and Other Legal Stuff ... Again

HuntUSA.org®, HuntSports.com®, TheNationalHuntingConsortium®, ThePolak®, WeFixItUSA.com®, eSeekGod.com®, iAskGod.com®, it's owners, operators, nor any of our other world wide web venues, retailers, subsidiaries, suppliers, vendors, manufacturers, non-profits, members or any associates whatsoever, assumes any responsibility or liability, express or implied, for the use of, or misuse of, any product either bought, sold, listed, offered, or shown herein or offered thru any other sales or marketing web-site or venue. All City, County, State, and Federal Laws and Ordinances must be strictly adhered to and are the sole responsibility of the buyer. We make no warranties, expressed or implied, other than those as stated by the manufacturer. No information provided by us or sold by us shall be rented, sold, or given away to any third party business or individual without the copyright owner permissions. We will never willfully disclose any information about our site visitors without first receiving the visitor's permission to do so. Any Do-It-Yourself, or Handyman Guides are designed to help you and there are no warranties, either express or implied and your results will differ from others, based on knowledge and skill levels. The fundamental concept of this information provided herewith is that you read, study and possibly utilize this product as a "starting point" for going forward with planning your project; If you need to perform independent research, then do so and judge for yourself the merits of the material that has been provided herewith.

BigDaddy@HuntSports.com recommends and endorses specific ideas, concepts and opportunities and cannot be liable for same. You should carefully consider whether our plans, ideas, concepts, How To and DIY programs or information is appropriate for you personally, in light of your experience, objectives, financial resources and other personal circumstances. The websites and all information technology and information provided herein are for guidance and information purposes only and their content for products and services offered are not intended to provide investment, tax, business development or other legal advice. The information contained herein has been compiled from sources deemed reliable and accurate to the best of our knowledge. However, we cannot guarantee the accuracy, completeness and cannot be held liable for any errors or omissions. Changes may be made periodically and at any time. We herewith deny any responsibility to update any previously purchased PDF's or copies of CD's etc.

All information contained herein should be independently verified and confirmed by appropriate sources and we do not accept any liability for any loss or damages whatsoever and the reader, or user, herewith agrees to indemnify and hold us harmless for any damages, costs or expenses, including any legal fees, potentially resulting from the application of any of the information provided herewith. This disclaimer applies to any damages or injury caused by any failure of performance, error, omission, interruption, deletion, defect, delay in operation or transmission, computer virus, communication line failure, theft or destruction or unauthorized access to, or use of record, whether for breach of contract, tort, negligence, or under any other cause of action. Furthermore, this disclaimer applies to any damages or injury caused by any failure of performance of any product supplied by others and used in conjunction with our information whether due to product failure, stress, welding error, welding or support omission, seam or weld interruptions, item adds or deletions, or any other defect whatsoever. It should not be assumed that future results will equal past performances and we make no guarantees that you will have success... but we pray you will indeed.

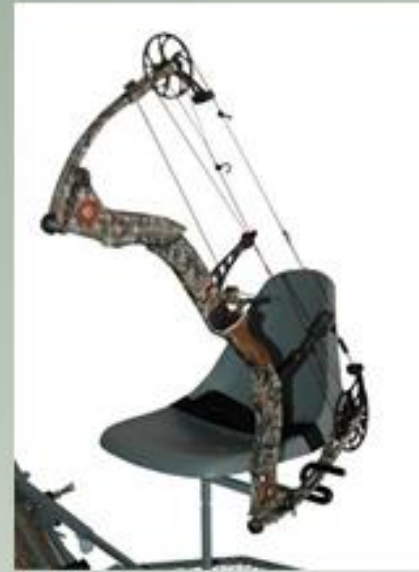
Reader agrees to assume all risk resulting from the application of any of the information provided herewith and by using any PDF or CD application, web site, including any applets, software or hard copies, and any content contained herein, the visitor agrees that the use of this information product is entirely at his or her own risk.



HuntSports 2014 Product Showcase

HuntSports Bowhunting Products

Tree Stands & Accessories



Click [Here](#) for a Full Selection of Our Latest Bowhunting Products and Accessories.

LIKE US ON FACEBOOK AND TWITTER and save up to
50% OFF Any of BigDaddy's Build-Your-Own Plans



HuntSports Bowhunter Food Plot Products



Click [HERE](#) to see Our Full Selection of Food Plot Seeds, Mineral Supplements, ATV Tillers and More.



HuntSports Deer Blind Product Update



Click [HERE](#) to See Our Full Selection of Deer Blinds and Towers

LIKE US ON FACEBOOK AND TWITTER and save up to **50% OFF** any of BigDaddy's Build-Your-Own Plans



HuntSports Deer Blind Product Update



Click [HERE](#) to See Our Full Selection of Deer Blinds and Towers

LIKE US ON FACEBOOK AND TWITTER and save up to **50% OFF** any of BigDaddy's Build-Your-Own Plans



BigDaddy's Build-Your-Own Deer Blind Plans

2013 Camper Conversion



After



LIKE US ON FACEBOOK AND TWITTER and save up to **50% OFF** any of BigDaddy's Build-Your-Own Plans



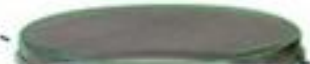
HuntSports Deer Feeder Parts



Watertight Lid for the top of the drum



Galvanized Steel Lid



Polyethylene Lid



55 Gallon Barrel

Feeder Parts



Polyethylene Funnel

Funnel fits tightly into the bottom of the drum



Spun Steel Funnel



Barrel band leg kit for mounting legs



Barrel Band



Automatic Feeder Control

Feed dispenser units



Gravity Feeder Unit



LIKE US ON FACEBOOK AND TWITTER and save up to 50% OFF any of BigDaddy's Build-Your-Own Plans



HuntSports Deer Feeder Updates

IR Hog Light Wildlife Feeders



Click [HERE](#) to see our Full Selection of IR Feederlights



HuntSports Infrared Hog and Feeder Lights



LIKE US ON FACEBOOK AND [TWITTER](#) and save up to 50% Off any of BigDaddy's Build Your Own Plans



HuntSports Hog Light Kits

Hog Hunting Light Kits



Remotes



Dusk / Dawn Sensors



Night Vision Scopes



Infrared Lights



Click [Here](#) to Visit [HuntSports.com](#) to See Our Selection of DIY Hog Light Kits.



HuntSports Hog Light Components



Dusk to Dawn Sensors



Power Supplies



Remote Control Units



**Super Bright LED's
Available in Multiple Colors**

**Looking to Build Multiple Units?
E-Mail BigDaddy@HuntSports and ask about Package Deals**



You Tube



Click [Here](#) to Visit HuntSports YouTube Channel

Subscribe and save up to 50% off Any of
BigDaddy's Build-Your-Own Plans

DIGISIGHT

MODELS | Copyright © 2010

Hunt Sports

.COM

We're ALL Your Hunting Needs™

NW DIGITAL



1 MAIN MENU

The Digisight main menu includes brightness control of the reticle, choice of the reticle shapes as well as setting of ranging time.

2 WINDAGE/ELEVATION KNOB

Reticle adjustment (movement of the reticle horizontally and vertically during sighting) is performed by a special knob. Switching from the horizontal movement mode to the vertical and vice versa is performed by pressing a button located right on the knob.

3 WEAVER 7/8"

Half Weaver on the left side of the body is used for attaching additional accessories.

4 Mini-USB

The mini-USB slot allows the riflescope to be connected to a personal computer or a laptop to upload additional (including user-constructed) aiming reticles.

5 QUICK IMAGE ADJUSTMENT

A group of functions including **Control mode** (for a sharp contrast increase), **Color mode** (successive change of LCD display's illumination color) and **SunLight mode** (enhances sensitivity enhancement algorithm) are available.

6 VIDEO IN / VIDEO OUT

The Digisight N100 is equipped with a socket for connection of external video recording sources or video playback sources. Switching from VIDEO IN mode to VIDEO OUT is performed by pressing a button located near to the socket.

7 EXTERNAL CONTROL

The Digisight N100 can be operated with the help of a remote control which replicates activation functions of the riflescope. IR illuminator and reticle inversion (see point 13). The riflescope can be powered both with 4 AA batteries, as well as with external power sources.

8 INTERNAL FOCUSING

The optical system employs an internal focusing mechanism (focus is controlled) with variable-click stop focus positions. The focusing provides clear images at extremely short distances as well as optimum quality at all distances within the riflescope's working range.

9 BRIGHTNESS ADJUSTMENT WHEEL

adjusts optimum brightness of screen's glow for each specific case.

10 BUILT-IN IR ILLUMINATOR

is recommended for usage at insufficient levels of natural illumination for improvement of observation quality.

11 RETICLE INVERSION

The inversion button allows changing color of the aiming reticle from black to white. The choice of reticle color is subject to the target's brightness.

12 SCREEN

The choice of one of the four operating modes (back screen, aiming reticle mode, «Clock» mode, aiming reticle & Clock mode).

13 LENS CAP

The riflescope's lens is covered with a plastic cap. The lens cap is fixed on the scope's body for better lens protection.

14 POWERING UP

the unit and the built-in IR illuminator is carried out successfully by gradual turning of the selector switch.



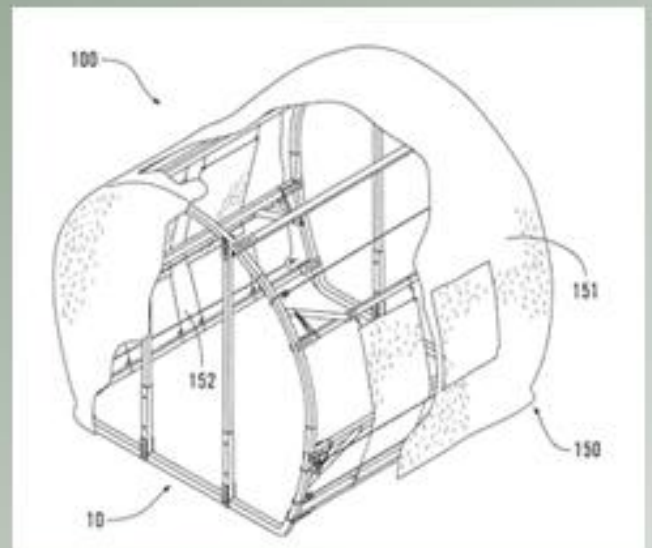
HuntSports NVRS/IR Riflescopes



Click [Here](#) to View Our Full Selection of Night Vision Equipment



Build Your Own Blinds



LIKE US ON FACEBOOK AND [TWITTER](#) and receive up to 50% OFF any of BigDaddy's Build-Your-Own Plans



Customer ... Model 2014



LIKE US ON FACEBOOK AND TWITTER and save up to 50% OFF any of BigDaddy's Build-Your-Own Plans





Deer Blind Windows



DIY Plans

.. and more

Deer Blind Windows



Plans, Kits, Aluminum and Wood
By-Pass Sliders & More



Deer Blind Windows

DeerBlind



WINDOWS

Deer Stand Packages



LIKE US ON FACEBOOK AND TWITTER and receive up to 50%
OFF any of BigDaddy's Build-Your-Own Plans

Deer / Wildlife / Fish - Feeder Ideas



Barrel Band

Lid

Barrel Funnel

Varmint Cage

12V Control

Battery

Solar Panel

Lake Pond River

Build Your Own FLOATING Fish Feeder

Hunt Sports
Deer All Your Hunting Needs

LIKE US ON FACEBOOK AND TWITTER and receive up to 50% OFF any of BigDaddy's Build-Your-Own Plans

DROP TUBE ... Directional Throw



Feeder Parts
Barrel Bands
55 Gallon Kits
Protein
Free Choice

Soybean

CORN



Crank-Up
Winch-Up
Feeder Parts Kits

LIKE US ON FACEBOOK AND TWITTER and save up to 50% OFF any of BigDaddy's Build-Your-Own Plans

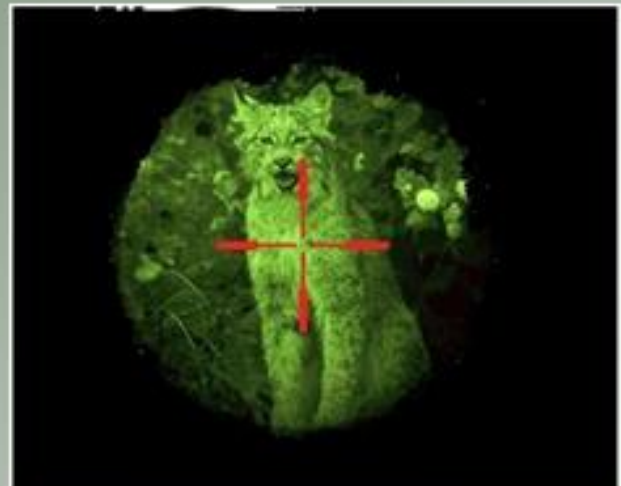
HuntSports Feeder-Light Ideas & Kits



HogLights



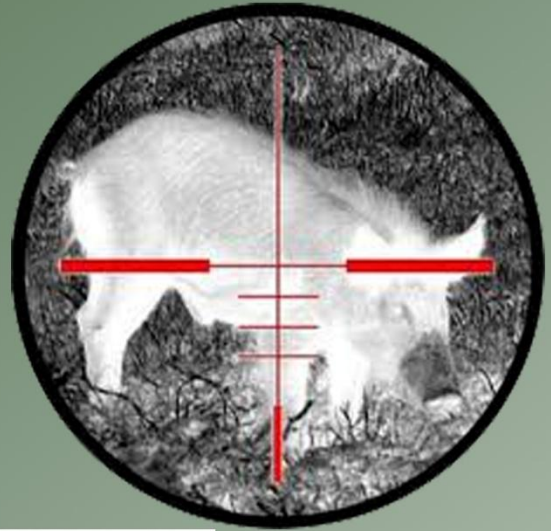
12V Remote



LIKE US ON FACEBOOK AND TWITTER and save up to **50% OFF** any of BigDaddy's Build-Your-Own Plans



HuntSports Thermal Imaging



LIKE US ON FACEBOOK AND TWITTER and receive up to **50% OFF** any of BigDaddy's Build-Your-Own Plans

